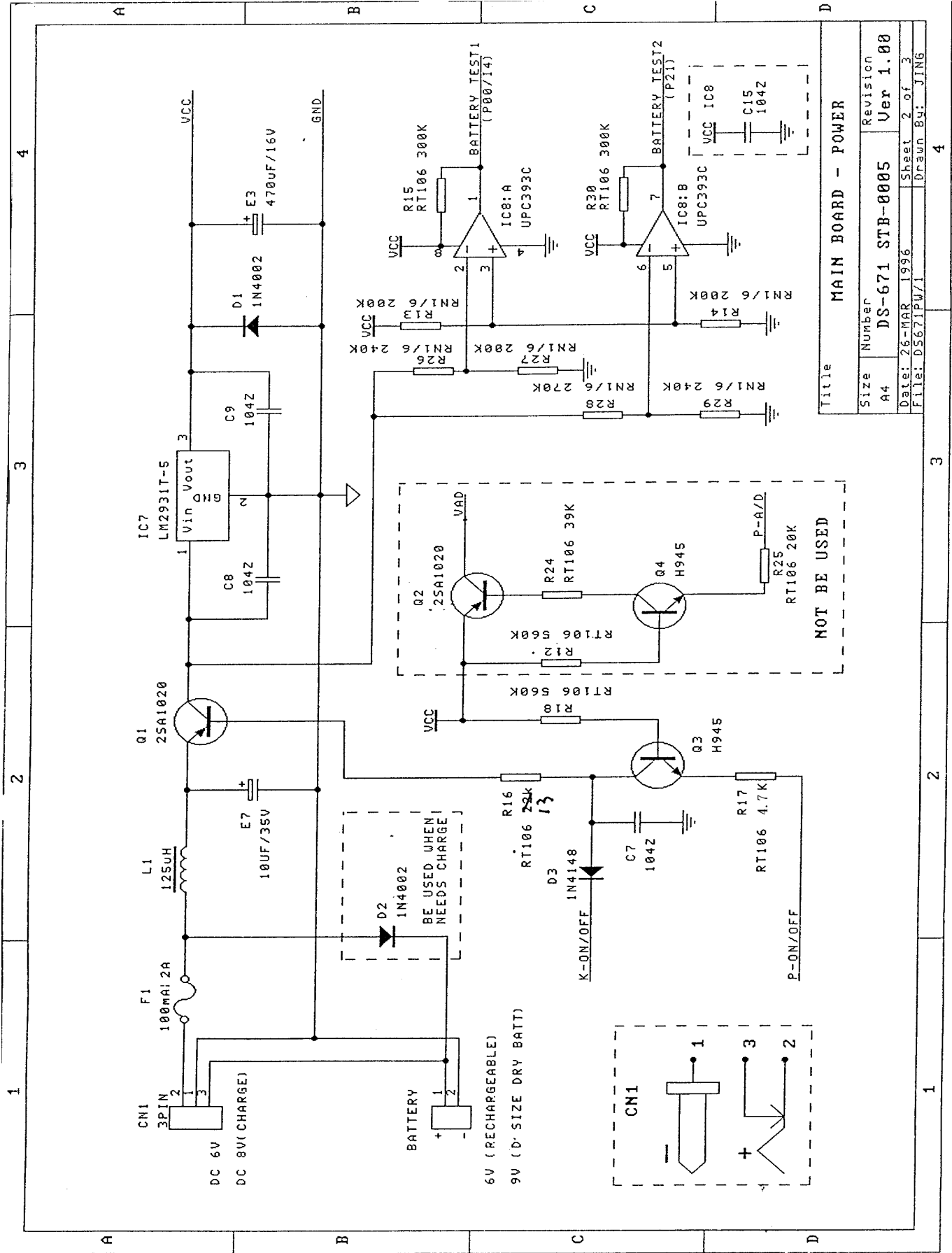
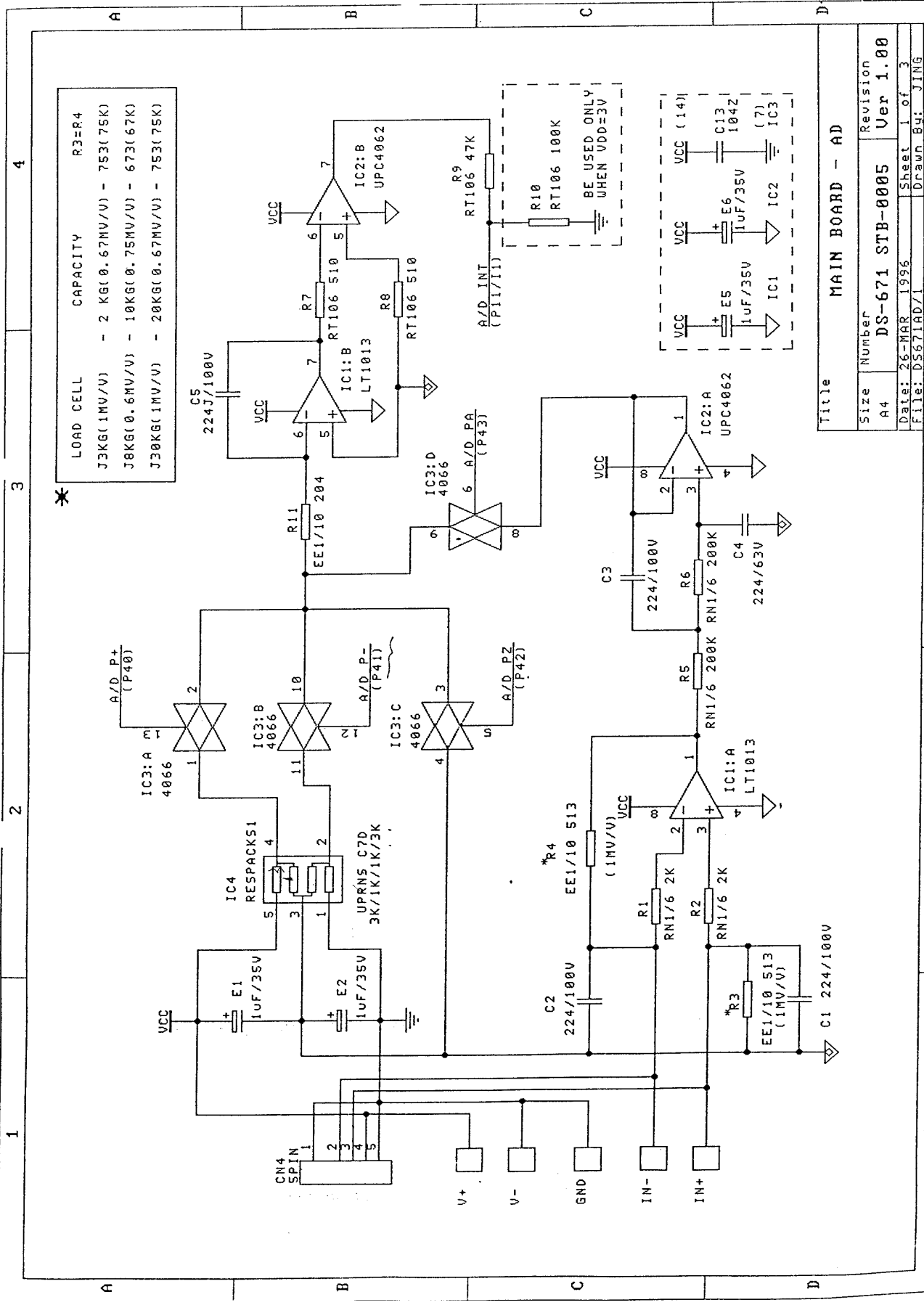


Title		Revision	
MAIN BOARD - CPU		Ver 1.00	
Size	Number	Date	Drawn By:
A4	DS-671 STB-0005	26-MAR 1996	JING
Date: 26-MAR 1996		Sheet 3 of 3	
File: DS671/1		Drawn By: JING	



Title		MAIN BOARD - POWER	
Size	Number	Revision	
A4	DS-671 STB-0005	Ver 1.00	
Date:	26-MAR-1996	Sheet	2 of 3
File:	DS671PW/1	Drawn By:	JING



* LOAD CELL CAPACITY R3=R4

J3KG(1MV/V)	- 2 KG(0.67MV/V)	- 753(75K)
J8KG(0.6MV/V)	- 10KG(0.75MV/V)	- 673(67K)
J30KG(1MV/V)	- 20KG(0.67MV/V)	- 753(75K)

Title		MAIN BOARD - AD	
Size	Number	Revision	Revision
A4	DS-671 STB-0005	Ver 1.00	
Date:	26-MAR-1996	Sheet	1 of 3
File:	DS671AD/1	Drawn By:	JING

1

2

3

4

1

2

3

4